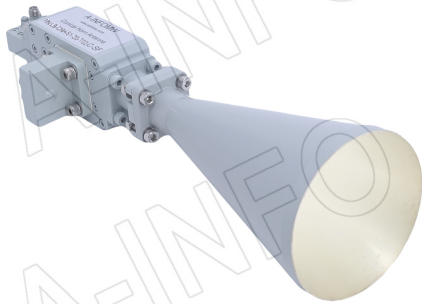


For reference only. See data sheet for the detailed specifications.

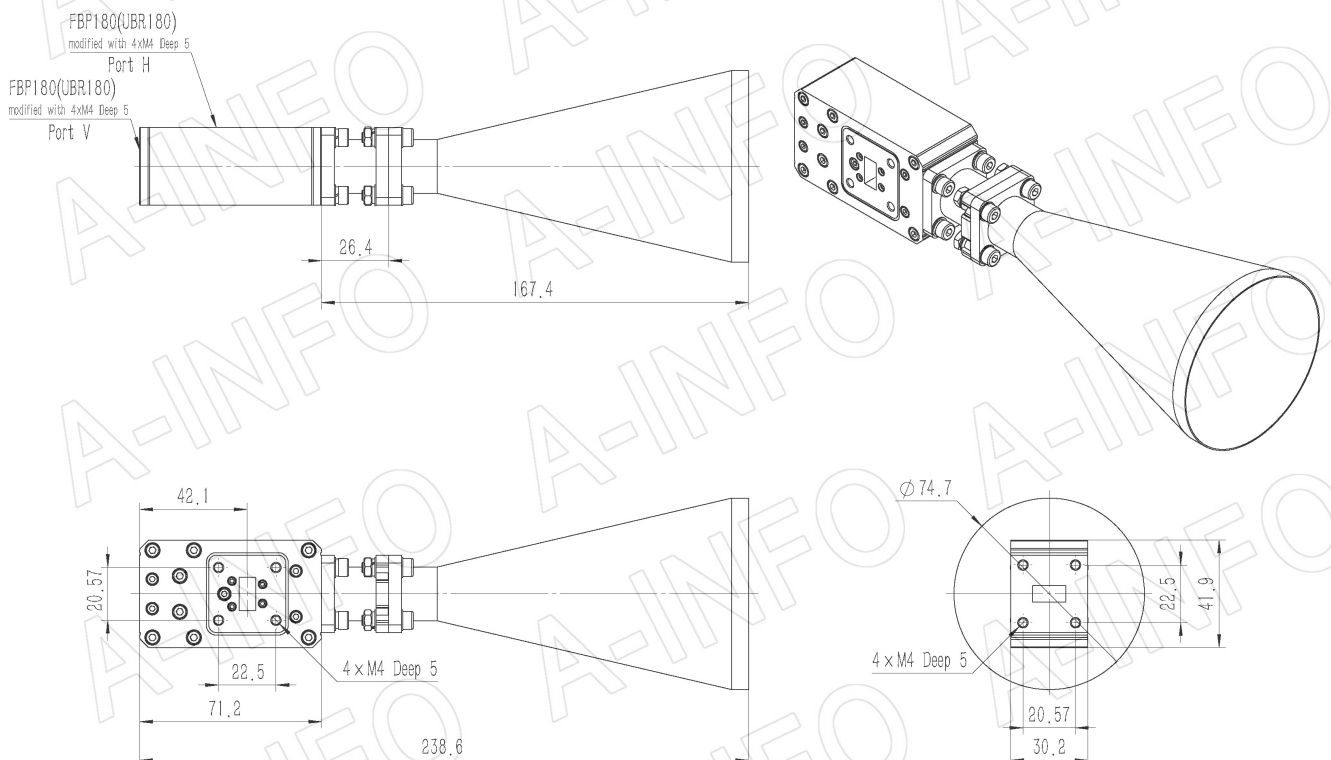
Technical Specification



Frequency Range(GHz)	15.0 – 22.0
Waveguide	WR51
Gain(dBi)	20 Typ.
Polarization	Dual Linear
3dB Beamwidth(deg)	E Plane: 13 Typ.
	H Plane: 16 Typ.
Cross Pol. Isolation(dB)	45 Typ.
Port to Port Isolation(dB)	55 Typ. ; 45 Min.
VSWR	A Type: 1.60:1 Max.
	C Type: 1.80:1 Max.
Output	A Type: FBP180(UBR180) (modified with 4XM4 D5)
	C Type: SMA-Female
Material	Al
Finish	Sliver Plated, Gray Paint
Size(mm)	A Type: 74.7 x 74.7 x 238.6
	C Type: 79.4 x 74.7 x 265.6
Net Weight(Kg)	A Type: 0.40 Around
	C Type: 0.60 Around

Outline Drawing (Size: mm)

FBP180 Output (P/N: LB-CNH-51-20-T02-A)



AINFO Inc.

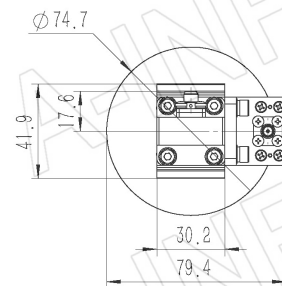
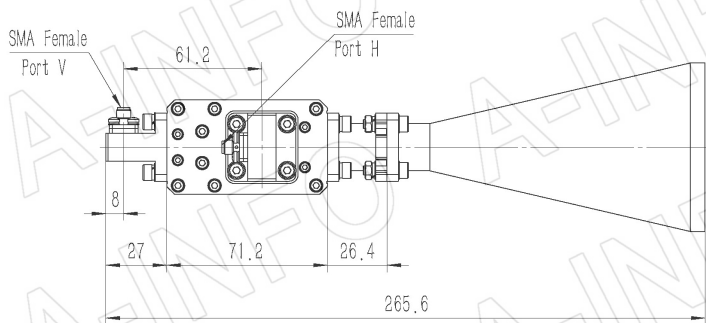
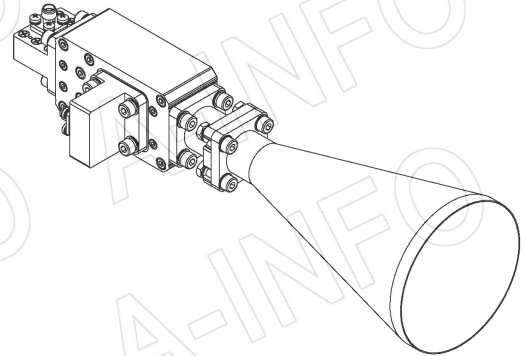
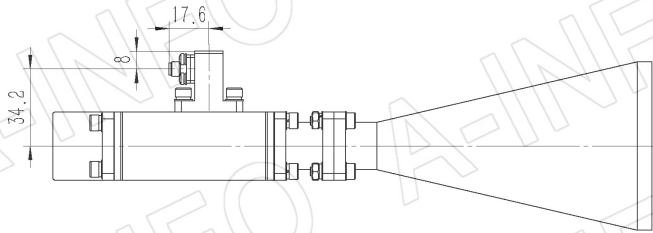
China(Beijing): Tel: (+86) 10-6266-7326,
China(Chengdu): Tel: (+86) 28-8519-2786,
USA : Tel: (+1) 949-639-9688,

Page 1 of 10

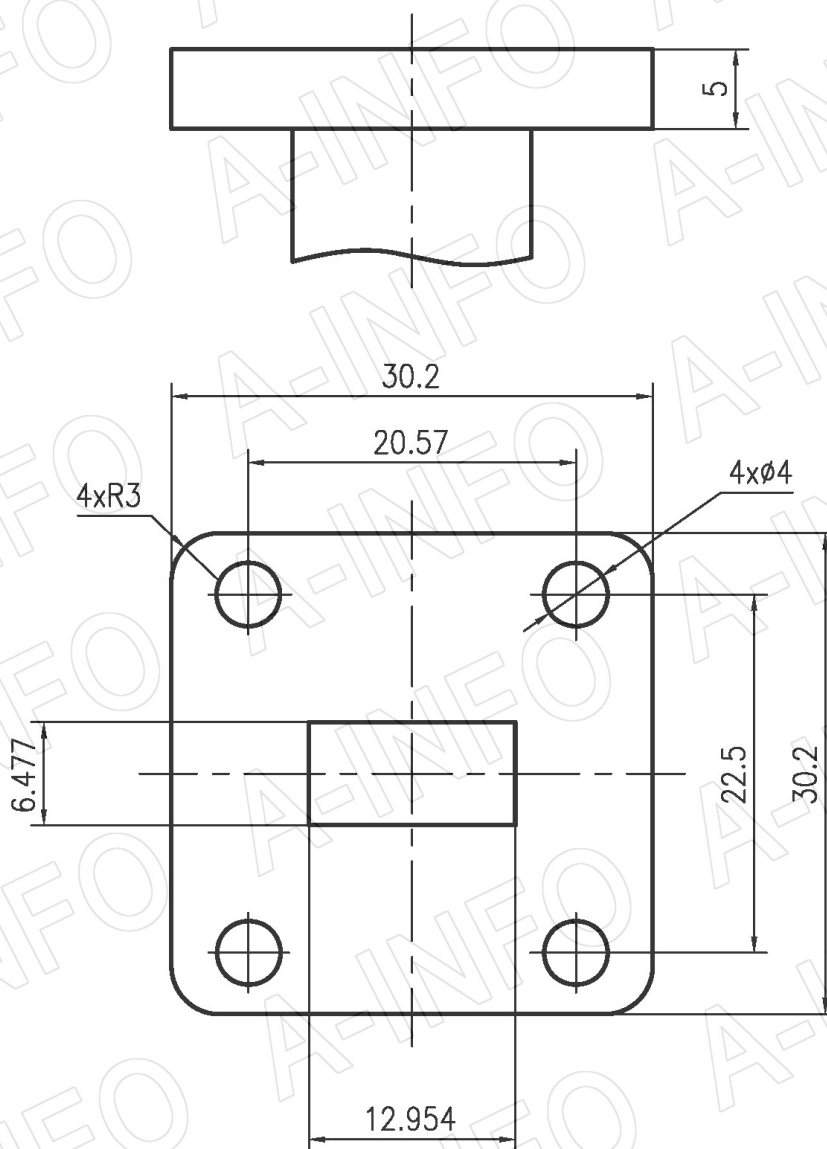
(+86) 10-6266-7327 Fax: (+86) 10-6266-7379
(+86) 28-8519-3044 Fax: (+86) 28-8519-3068
(+1) 949-639-9608 Fax: (+1) 949-639-9670

Website: www.ainfoinc.com
Email: sales@ainfoinc.com

SMA-Female Output (P/N: LB-CNH-51-20-T02-C-SF)



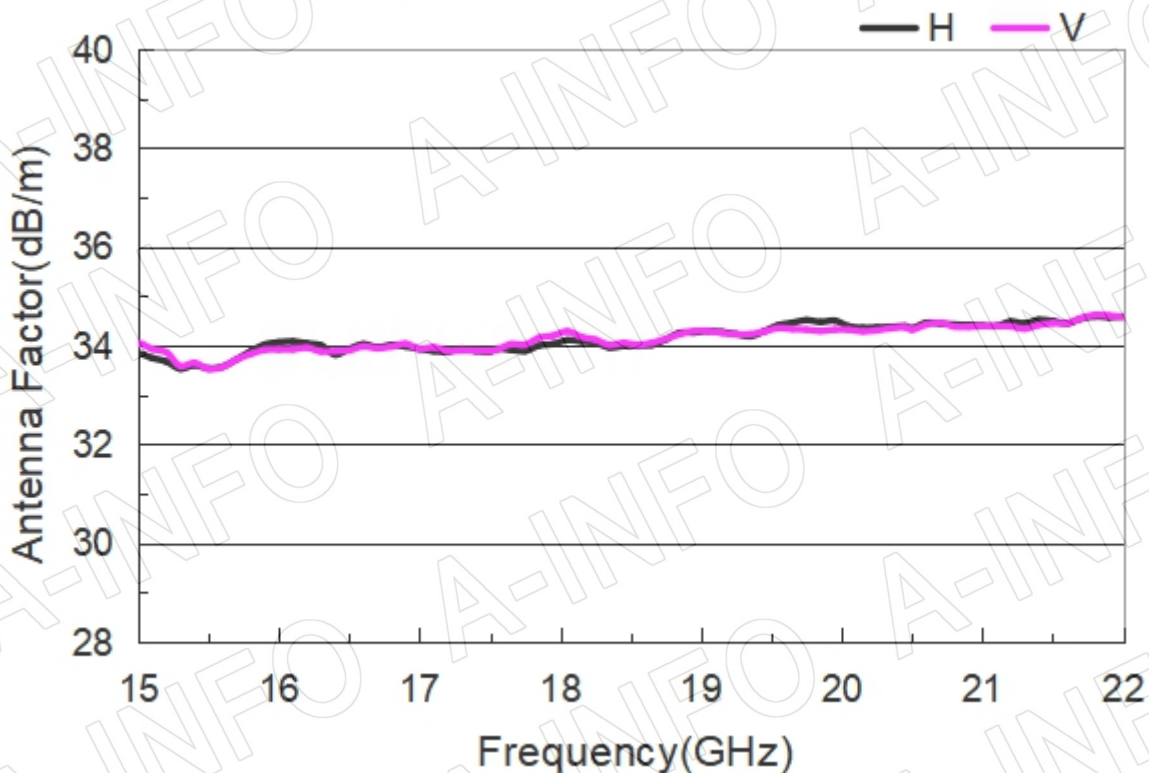
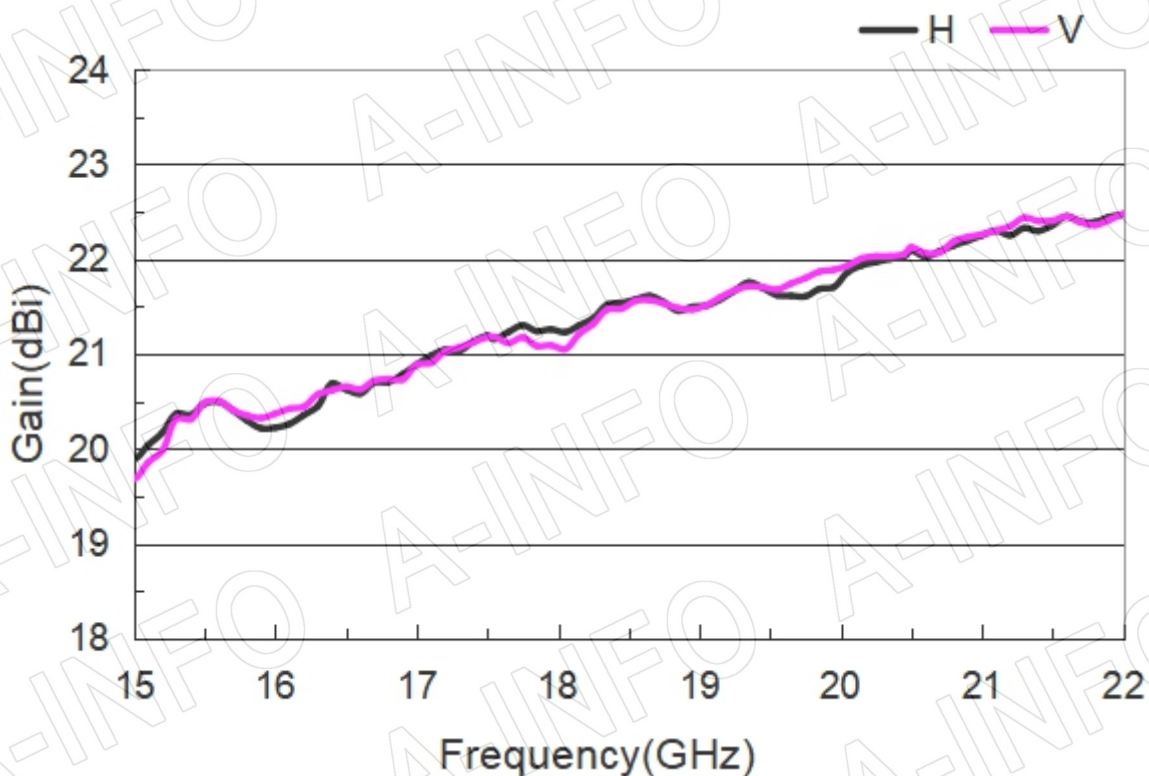
Flange Drawing (Size: mm)



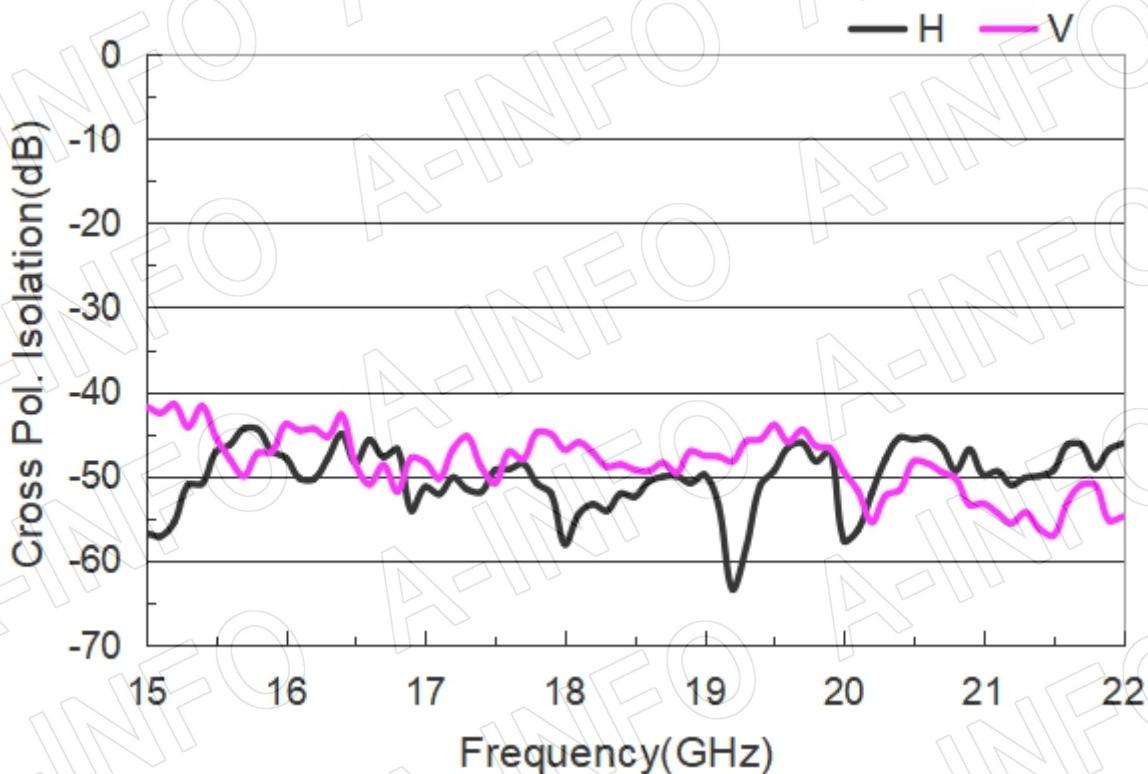
FBP180

Test Results

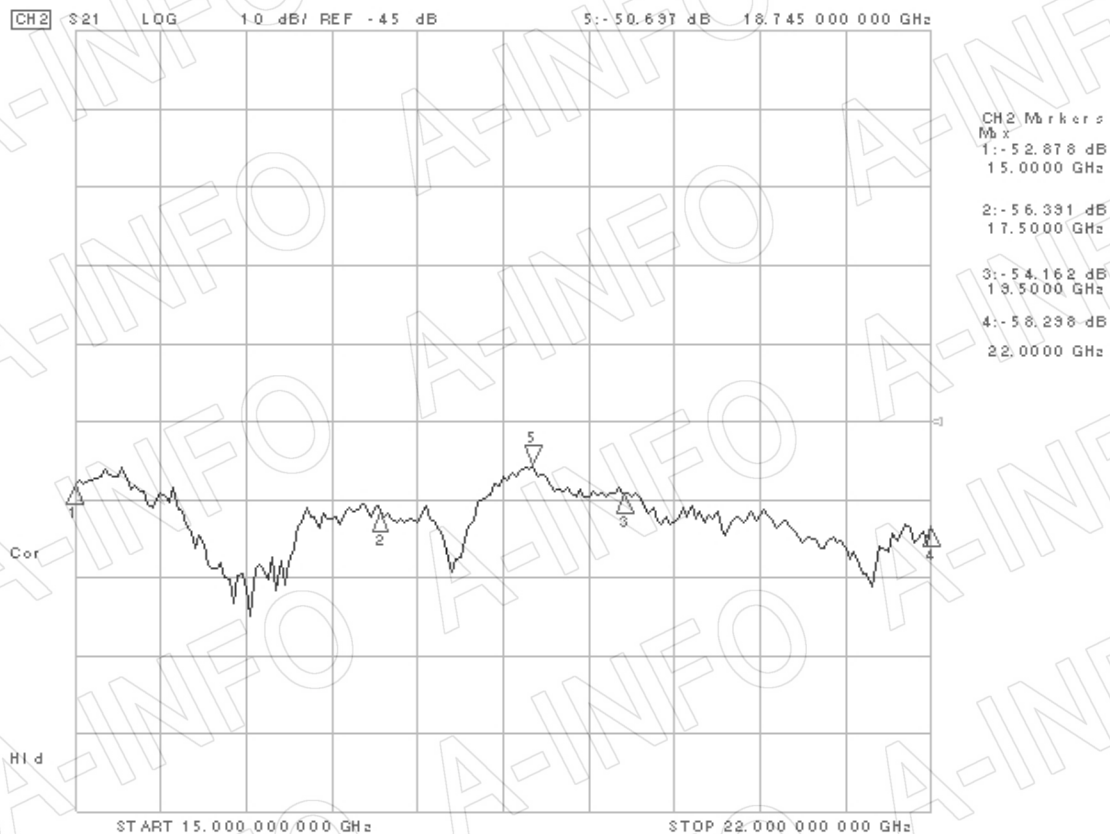
1. Gain & Antenna Factor



2. Cross Polarization Isolation

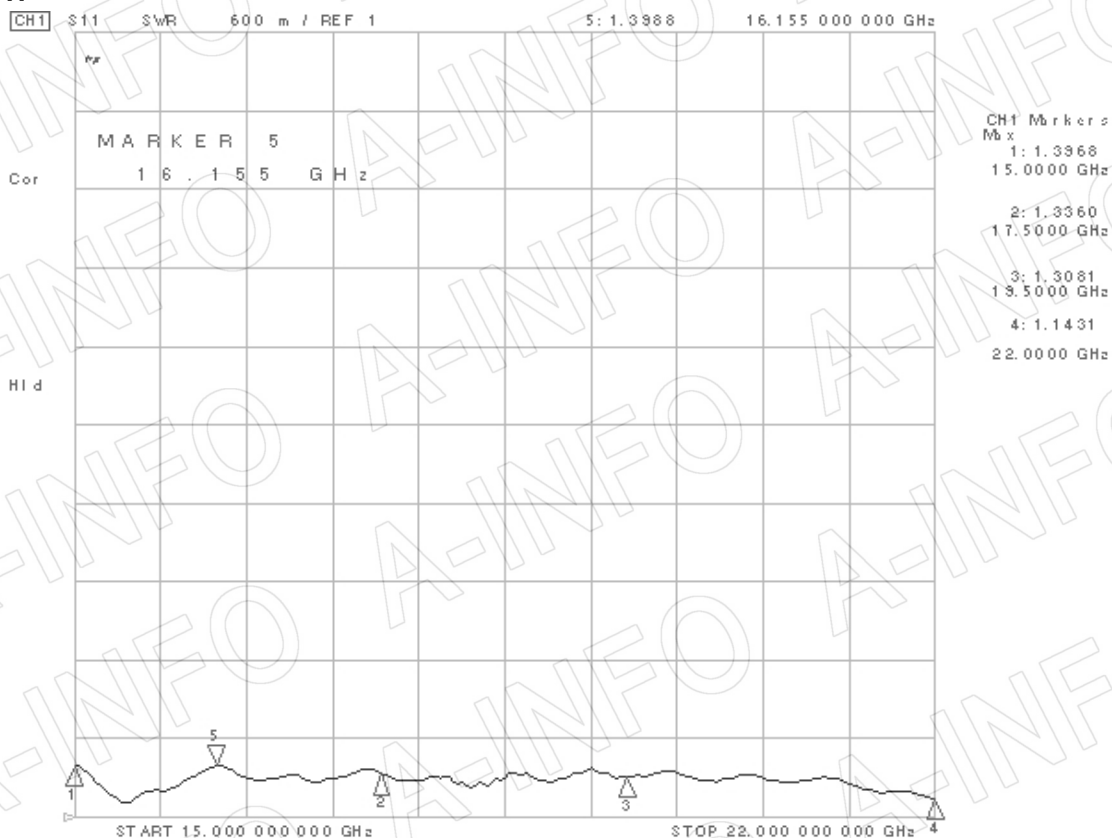


3. Port to Port Isolation

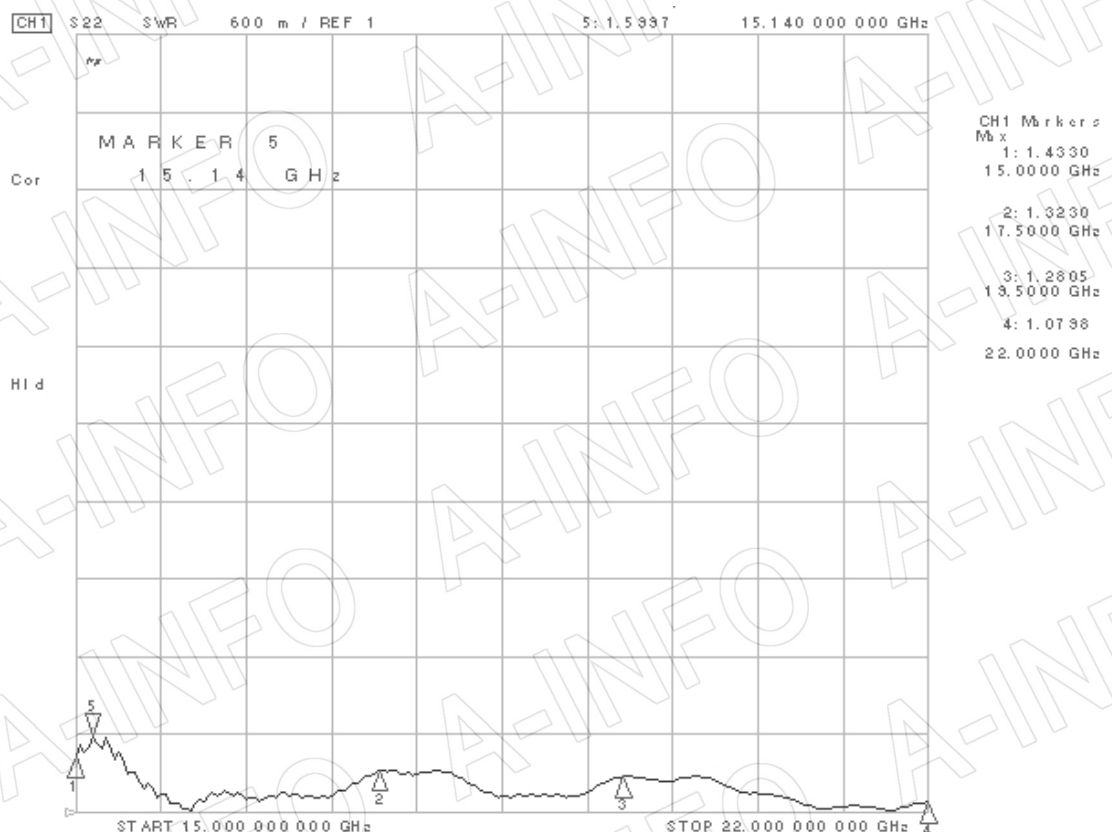


4. VSWR_A Type

Port-H

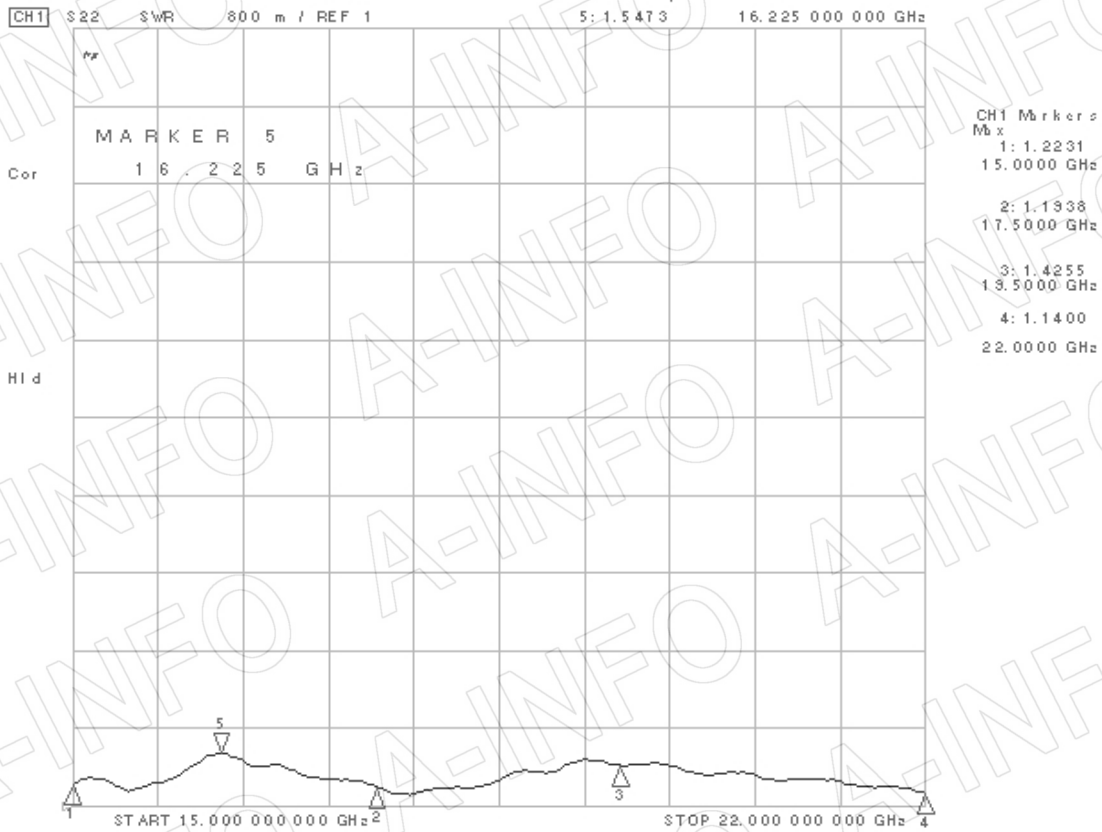


Port-V

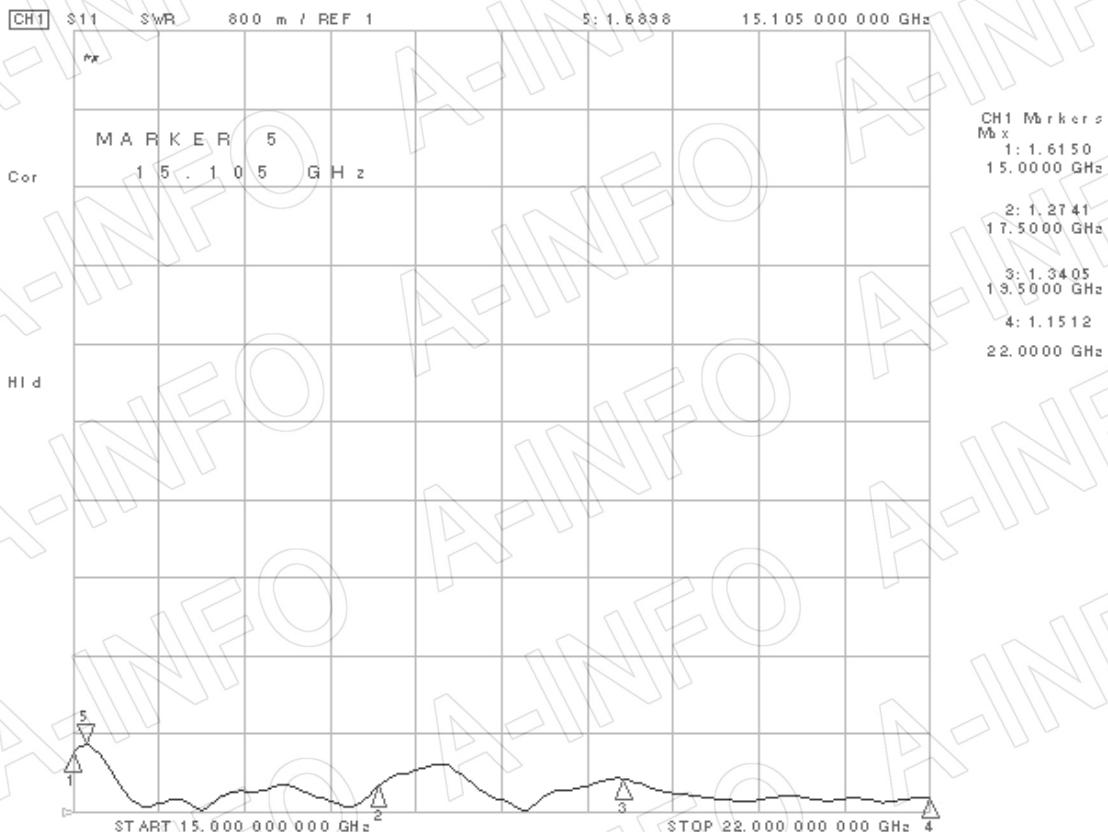


VSWR_C Type

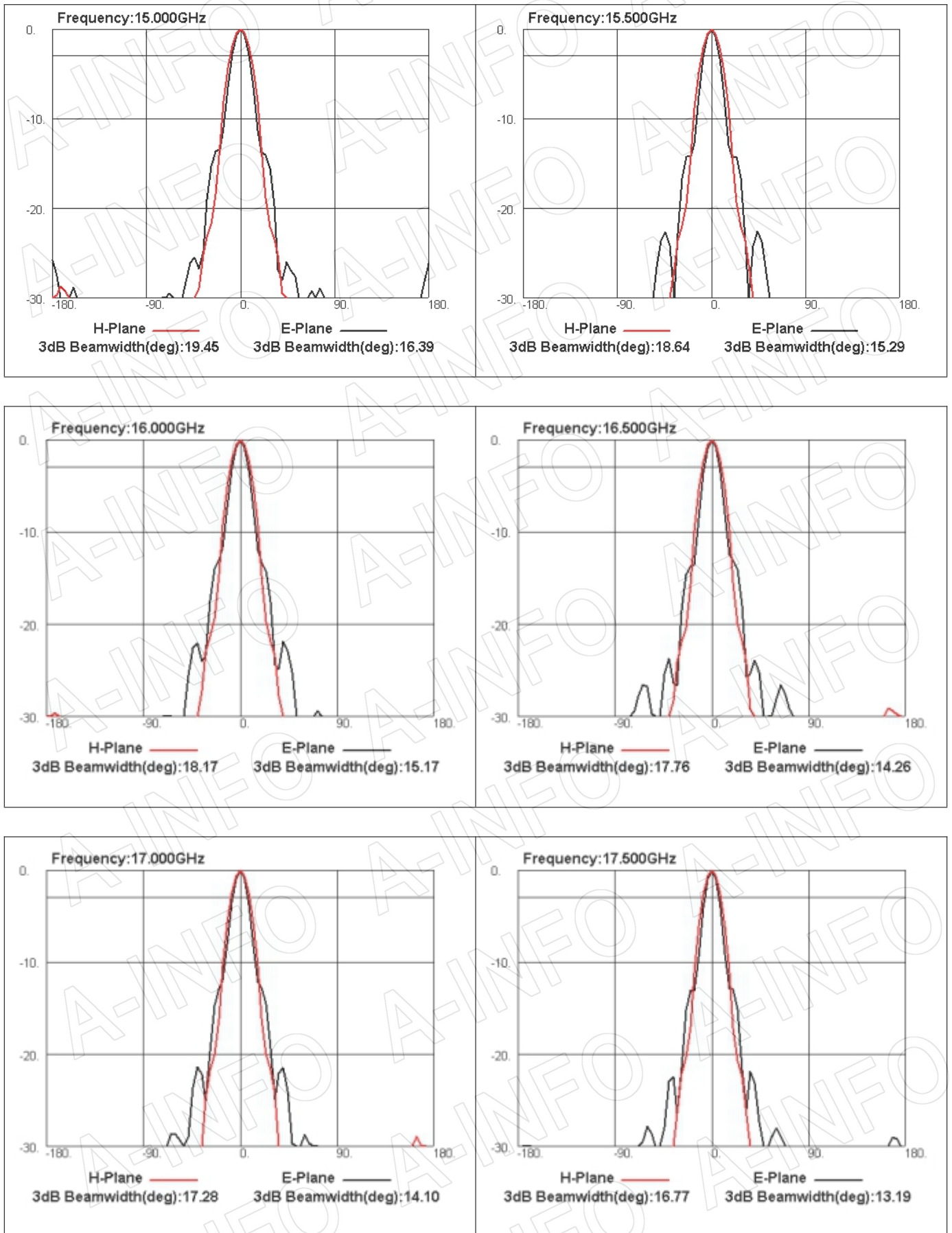
Port-H



Port-V



5. Pattern



AINFO Inc.

China(Beijing):
China(Chengdu):
USA :

Tel: (+86) 10-6266-7326,
Tel: (+86) 28-8519-2786,
Tel: (+1) 949-639-9688,

(+86) 10-6266-7327
(+86) 28-8519-3044
(+1) 949-639-9608

Page 8 of 10

Fax: (+86) 10-6266-7379
Fax: (+86) 28-8519-3068
Fax: (+1) 949-639-9670

Website: www.ainfoinc.com
Email: sales@ainfoinc.com

